

Customization is available  
Products and specifications are  
subject to be changed without notice



**Options**

- 2.0-5.0m / 79-197 inch duplex mast
- 2.5-4.0m / 98-157 inch full free duplex mast
- 4.3-6.5m./169-256 inch triplex mast
- Special carriage and backrest
- Other dimension forks
- Dual drive wheel with fender
- Solid tyre
- Colored tyre ( white / green)
- Cabin
- Heater and air condition
- Fire extinguisher
- Semi-suspension seat or full-suspension seat
- Dual air cleaner or special air cleaner
- Rear working light
- Customer painting
- Auxiliary hydraulic valve modules
- High-mounted exhaust system
- Middle-mounted exhaust system
- Anti-fire spark exhaust device
- Diesel exhaust das purifier
- Radiator screen
- Side shifter
- Integrated side shifter
- Other attachment



**E-P Equipment Co.,LTD**  
Let's grow together...

**E-P**  
Material Handling Solution

CE  
ISO9000

# T Series

1.5/1.8T  
3000/4000lb  
Diesel/Gasoline/LPG

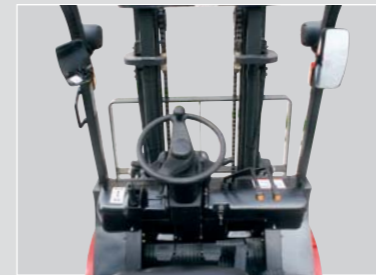




# East Power

## EP Forklift Truck-T series

2 year warranty



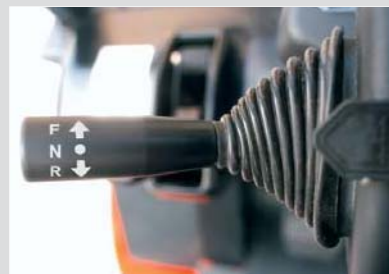
### Wide-View Mast

The operator is able to work with increased safety and accuracy due to a wider view mast.



### Adjustable Steering Wheel

Steering wheel can be adjusted by a lever on the right-hand side for the most comfortable operator position.



### Simple, Small-Stroke F/R Lever

The forward-reverse lever swings through a smaller arc than previous models, meaning less effort and less total time used during this basic, often-performed function.



### Automobile-Style Light/Turn-Signal Lever

The automotive influence seen in the T Series extends to the thoughtful use of an automobile-style light and turn-signal lever, with simple actions that let the operator focus on the job.



### Wide-Open Operation Space

The area between the foot pedals and the body below the seat is open and free of obstructions that hamper entering and exiting the forklift.



### Easily-Detached Floor Panel

One-touch removal of the floorboard gets you right to service operations and reduces down-time.




### Option

- Special carriage and backrest
- Other dimension forks
- Dual drive wheel with fender
- Cabin
- Heater and air condition
- Dual air cleaner or special air cleaner
- Rear working light




- Custom color paint
- High-mounted exhaust system
- Middle-mounted exhaust system
- Sideshifter
- Other attachment
- Lpg fuel system (single, dual)

**T series 1.5-1.8t forklift specification:**

General		1						
		2		FD15T-NE92	FG15-F2	FD18T-NE92	FG18T-F2	
3		Power type		Diesel	Gasoline	Diesel	Gasoline	
4		Rated capacity		Kg	1500	1500	1800	
5		Load center		mm	500	500	500	
Characteristics & Dimensions		6		Lift height	mm	3000	3000	
		7		Free lift height	mm	120	120	
		8		Fork size	L*W*T	mm	920*80*40	920*80*40
		9		Mast tilt range	F/R	deg	6/12	6/12
		10		Fork overhang(wheel center to fork face)		mm	420	420
		11		Rear overhang		mm	420	420
		12		Overall dimensions	Length to face of fork	mm	2230	2270
		13			Overall width	mm	1080	1080
		14			Mast lowered height	mm	1995	1995
		15			Mast extended height	mm	3960	3960
16		Overhead guard height	mm		2070	2070		
17		Turning radius(outside)		mm	1995	2035		
18		Min.right angle stacking aisle width (Add load length and clearance )		mm	2400	2440		
19		AST with pallet 800*1000mm cross fork		mm	3560	3600		
Performance		20		Travel (No load)	Km/h	14	14	
		21		Speed	Lifting (Full load)	mm/sec	460	460
		22			Lowering (Full load)	mm/sec	450	450
		23		Max.Drawbar Pull (Full load)		N	20500(17500)	20500(17500)
24		Max.Gradeability (Full load)		%	20	20		
Chassis		25		Tyres	Front	6.50-10-10PR	6.50-10-10PR	
		26			Rear	5.00-8-10PR	5.00-8-10PR	
		27		Tread	Font	mm	920	920
		28			Rear	mm	920	920
		29		Wheelbase		mm	1430	1430
		30		Ground clearance	Lowest	mm	110	110
31		Wheelbase center	mm		145	145		
Weight		32		Self weight		Kg	2700	
		33		Weight Distribution	Full load	Front	Kg	3570
		34				Rear	Kg	630
		35			No load	Front	Kg	1215
		36				Rear	Kg	1485
Power & transmission		37		Battery	V/AH	12/60		
		38		Engine	Model		4TNE92	
		39			Manufacture		YANMAR	
		40			Rated output/r.p.m	kw	33/2450	
		41			Rated torque/r.p.m	N.m	136/1600	
		42			No.of cylinder		4	
		43			Bore*Stroke	mm	92*100	
		44			Displacement	cc	2659	
		45			Fuel tank capacity	L	50	
		46		Manufacture			CHINA	
47		Transmissions	Type		Powershift			
48			Stage	FWD/RVS		1/1		
49		Operating pressure		Mpa	17.5			

1. Special lifting height available. 2. Attachment available.  
 3. The specification in the table are for standard models only . For further information please contact us.  
 4. Specification are subject to be changed without notice.  
 Office Tel.Nos.:(+974) 444 37 666  
 (+974) 444 36 669  
 e-mail : sales@rackplusstorage.com

**T series 3300-4000lb forklift specification:**

General		1						
		2		FD15T-NE92	FG15T-F2	FD18T-NE92	FG18T-F2	
3		Power type		Diesel	Gasoline	Diesel	Gasoline	
4		Rated capacity		lb	3300	3300	4000	
5		Load center		inch	20	20	20	
Characteristics & Dimensions		6		Lift height	inch	118	118	
		7		Free lift height	inch	4.7	4.7	
		8		Fork size	L*W*T	inch	36.2*3.15*1.57	36.2*3.15*1.57
		9		Mast tilt range	F/R	deg	6/12	6/12
		10		Fork overhang(wheel center to fork face)		inch	16.5	16.5
		11		Rear overhang		inch	16.5	16.5
		12		Overall dimensions	Length to face of fork	inch	88	89
		13			Overall width	inch	43	43
		14			Mast lowered height	inch	79	79
		15			Mast extended height	inch	156	156
16		Overhead guard height	inch		81	81		
17		Turning radius(outside)		inch	79	80		
18		Min.right angle stacking aisle width (Add load length and clearance )		inch	94	96		
19		AST with pallet 800*1000mm cross fork		inch	140	142		
Performance		20		Travel (No load)	mile/h	8.7	8.7	
		21		Speed	Lifting (Full load)	inch/sec	18.1	18.1
		22			Lowering (Full load)	inch/sec	17.7	17.7
		23		Max.Drawbar Pull (Full load)		N	20500(17500)	20500(17500)
24		Max.Gradeability (Full load)		%	20	20		
Chassis		25		Tyres	Front	6.50-10-10PR	6.50-10-10PR	
		26			Rear	5.00-8-10PR	5.00-8-10PR	
		27		Tread	Font	inch	36	36
		28			Rear	inch	36	36
		29		Wheelbase		inch	56	56
		30		Ground clearance	Lowest	inch	4.3	4.3
31		Wheelbase center	inch		5.7	5.7		
Weight		32		Self weight		lb	6000	
		33		Weight Distribution	Full load	Front	lb	7900
		34				Rear	lb	1400
		35			No load	Front	lb	2700
		36				Rear	lb	3300
Power & transmission		37		Battery	V/AH	12/60		
		38		Engine	Model		4TNE92	
		39			Manufacture		YANMAR	
		40			Rated output/r.p.m	hp	44/2450	
		41			Rated torque/r.p.m	N.m	136/1600	
		42			No.of cylinder		4	
		43			Bore*Stroke	inch	3.6*3.9	
		44			Displacement	cc	2659	
		45			Fuel tank capacity	L	50	
		46		Manufacture			CHINA	
47		Transmissions	Type		Powershift			
48			Stage	FWD/RVS		1/1		
49		Operating pressure		Mpa	17.5			

1. Special lifting height available. 2. Attachment available.  
 3. The specification in the table are for standard models only . For further information please contact us.  
 4. Specification are subject to be changed without notice.  
 Office Tel.Nos.:(+974) 444 37 666  
 (+974) 444 36 669  
 e-mail : sales@rackplusstorage.com

**1.5~1.8t T series mast: (Pneumatic)**

Type	Model	Max.fork height	Overall height			Free lift		Front Overhang		Tilt range		Capacity			
			Lowered	Extended		Without backrest	With backrest	1.5t	1.8t	FWD	BWD	Load capacity at 500mm			
				Without backrest	With backrest							Single tire		Double tire	
			mm	mm	mm	mm	mm	mm	Deg	Deg	kg	kg	kg	kg	
Wide view 2-stage mast	2W300	3000	1995	3585	3955	120	120	420	420	6	12	1500	1800	1500	1800
	2W330	3300	2145	3885	4255	120	120	420	420	6	12	1500	1800	1500	1800
	2W350	3500	2245	4085	4455	120	120	420	420	6	12	1500	1800	1500	1800
	2W360	3600	2295	4185	4555	120	120	420	420	6	12	1500	1800	1500	1800
	2W400	4000	2545	4585	4955	120	120	420	420	6	12	1400	1600	1500	1800
	2W430	4300	2695	4885	5255	120	120	420	420	6	12	1300	1500	1400	1600
	2W450	4500	2795	5085	5455	120	120	420	420	6	6	1250	1400	1350	1500
Full free 2-stage mast	2F300	3000	2040	3605	3955	1345	1105	420	420	6	12	1500	1800	1500	1800
	2F330	3300	2190	3905	4255	1495	1165	420	420	6	12	1500	1800	1500	1800
Full free 3-stage mast	3F430	4300	1965	5070	5255	1425	1080	440	440	6	6	1250	1450	1350	1550
	3F450	4500	2045	5130	5465	1485	1140	440	440	6	6	1200	1350	1300	1450
	3F480	4800	2160	5445	5755	1575	1230	440	440	6	6	1100	1250	1200	1350
	3F500	5000	2210	5605	5955	1665	1320	440	440	6	6	1050	1150	1150	1250
	3F550	5500	2375	6120	6455	1825	1480	440	440	3	6	/	/	950	1050
	3F600	6000	2600	6695	6955	1975	1630	440	440	3	6	/	/	750	850

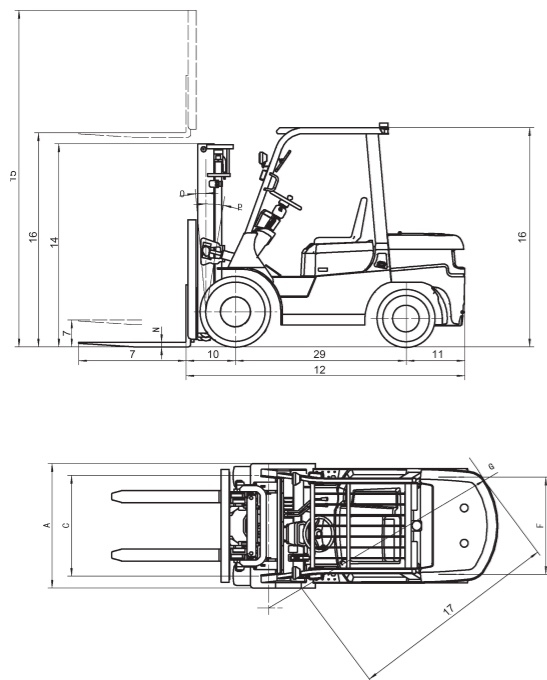
Note: With sideshift minus 150Kg, with integral sideshift minus 100Kg.

**3300-4000lb T series mast: (Pneumatic)**

Type	Model	Max.fork height	Overall height			Free lift		Front Overhang		Tilt range		Capacity			
			Lowered	Extended		Without backrest	With backrest	3300lb	4000lb	FWD	BWD	Load capacity at 20 inch			
				Without backrest	With backrest							Single tire		Double tire	
			inch	inch	inch	inch	inch	inch	inch	inch	Deg	Deg	lb	lb	lb
Wide view 2-stage mast	2W300	118	79	141	156	4.7	4.7	16.5	16.5	6	12	3300	4000	3300	4000
	2W330	130	84	153	168	4.7	4.7	16.5	16.5	6	12	3300	4000	3300	4000
	2W350	138	88	161	175	4.7	4.7	16.5	16.5	6	12	3300	4000	3300	4000
	2W360	142	90	165	179	4.7	4.7	16.5	16.5	6	12	3300	4000	3300	4000
	2W400	157	100	181	195	4.7	4.7	16.5	16.5	6	12	3100	3500	3300	4000
	2W430	169	106	192	207	4.7	4.7	16.5	16.5	6	6	2900	3300	3100	3500
	2W450	177	110	200	215	4.7	4.7	16.5	16.5	6	6	2800	3100	3000	3300
Full free 2-stage mast	2F300	118	80	142	156	53	44	16.5	16.5	6	12	3300	4000	3300	4000
	2F330	130	86	154	168	59	46	16.5	16.5	6	12	3300	4000	3300	4000
Full free 3-stage mast	3F430	169	77	200	207	56	43	17.3	17.3	6	6	2800	3200	3000	3400
	3F450	177	81	202	215	58	45	17.3	17.3	6	6	2600	3000	2900	3200
	3F480	189	85	214	227	62	48	17.3	17.3	6	6	2400	2800	2600	3000
	3F500	197	87	221	234	66	52	17.3	17.3	6	6	2300	2500	2500	2800
	3F550	217	94	241	254	72	58	17.3	17.3	3	6	/	/	2100	2300
	3F600	236	102	264	274	78	64	17.3	17.3	3	6	/	/	1700	1900

Note: With sideshift minus 330lb, with integral sideshift minus 220lb.

**DIMENSIONS**



**LOAD CAPACITY CHART**

**2-stage mast**

